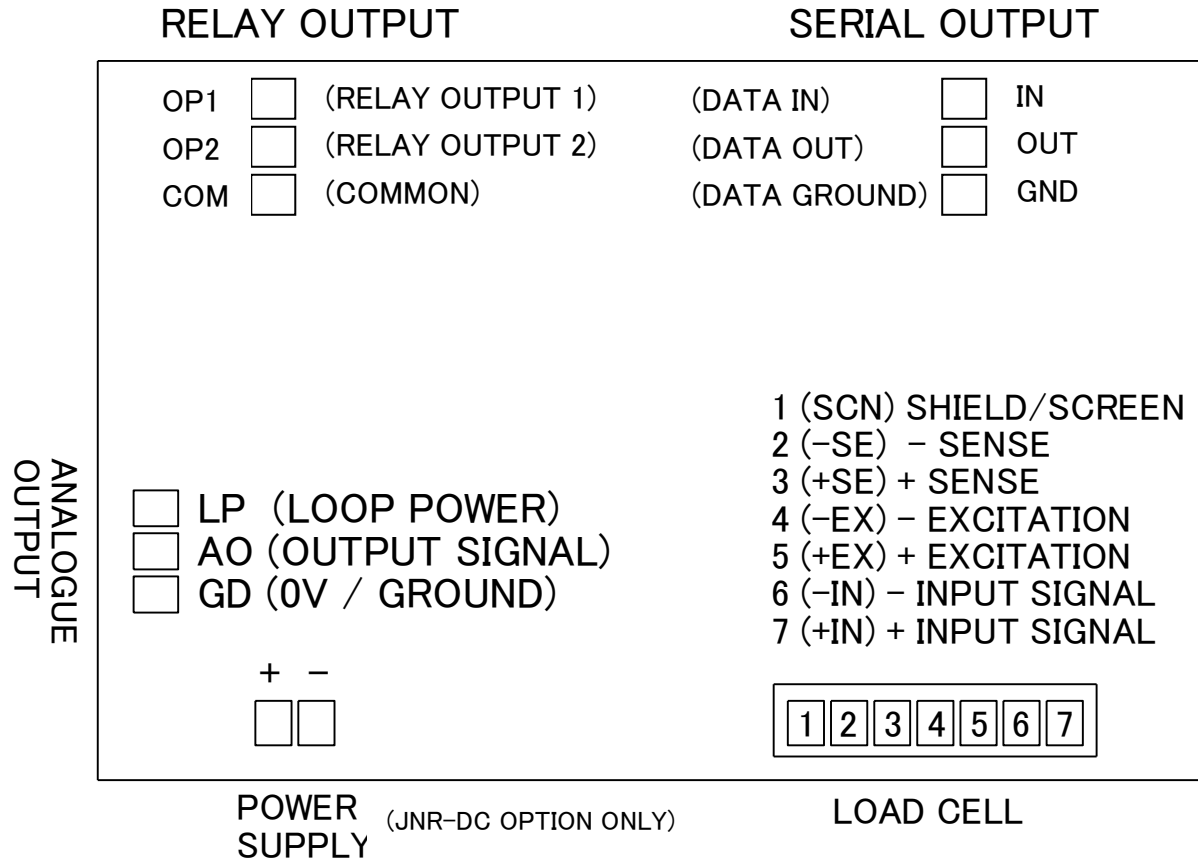


# JNR Load Cell Indicator

## CONNECTIONS



## SENSE CONNECTIONS

For 4-wire load cells, link 2 (-SE) to 4 (-EX) and 3 (+SE) to 5 (+EX)