



WMR

Weigh Module

500kg to 10tonne
Low Profile
Stainless Steel

Stainless steel low profile weigh module for tank weighing. Includes self aligning top plate, integral lift-off prevention and jacking nuts for installation and replacement of load cell. Accommodates thermal expansion and contraction of the weighed structure.

Rated Capacities ¹	0.5 , 1 , 2.5 , 5 , 10	tonne
Full Scale Output (FSO)	2.0 (±0.25%)	mV/V
Zero Output (ZO)	< ± 1 %	FSO
Bridge Resistance	350 (nominal)	Ω
Excitation	5 to 15	V ac/dc
Non-repeatability	0.05 %	FSO
Accuracy ²	0.25 %	FSO
Compensated temp.	0 to +50	°C
Operating temp.	-10 to +70	°C
Environmental Sealing	IP65	to BS EN60529

Includes **CDC Series Load Cell**

Capacity	A	B	C	D	E
0.5 , 1 , 2.5	114	15	56	12	98
5 , 10	152	20	80	14	134
tonne	mm				

Connections :

- 5 Metres 4-core Cable ³
- + Supply - Red
 - Supply - Blue
 - + Signal - Green
 - Signal - Yellow
 - Overall Screen

Options :

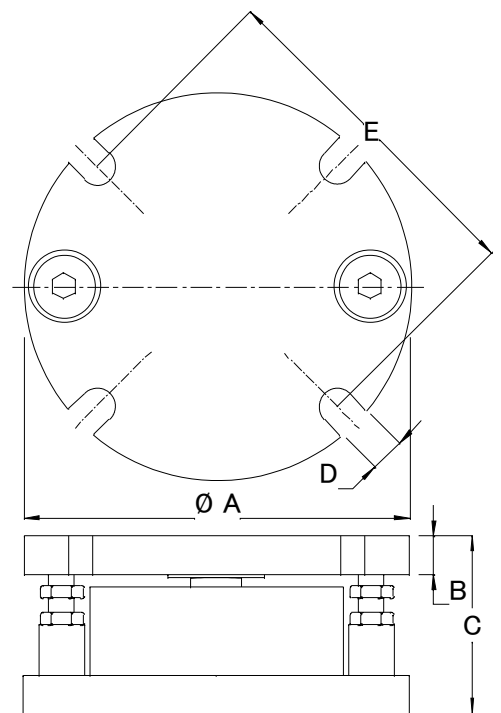
- Instrumentation - Weighing Indicator & Junction Box
- System Calibration

¹ Safe overload 150% Rated Capacity. Ultimate load 300% Rated Capacity.

² Combined error, considering non-linearity & hysteresis as deviation from best straight line, from ZO to FSO.
Correct mounting of the load cell is essential to achieve optimum performance.

³ Calibration void if cable length is altered.

The information provided is intended for product description only. Specifications are subject to change. Full product details available on request.



Force Logic UK Ltd

N4 lambs Farm Business Park
Swallowfield
Berkshire RG7 1PQ
UK
+44 (0)118 988 8807
info@force-logic.co.uk www.force-logic.co.uk

WMRDS_1.0

Force
LOGIC UK

Manufactured in the UK