



INT



INTB

INT

Load Indicator/Controller

Simple menu-free operation

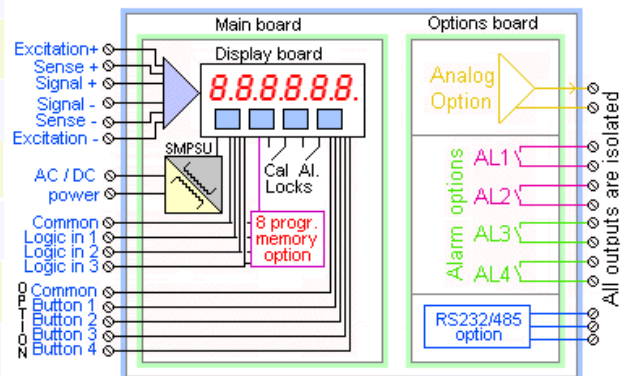
High accuracy

Range of output options

The INT is a cost-effective load indicator / controller, providing local display plus a range of output options, making it suitable for all monitoring and control applications. It can be scaled in all engineering units and is easily configured using the simple menu-free operating system.

Output Options - Analogue	-5 to +5 V , 0 to 10 V , 4 to 20 mA
Output Options - Digital	RS232 , RS485 , DeviceNet , Modbus , Profibus
Output Options - Alarms	2 / 4 alarm relays rated 2A 250Vac

Input Sensitivity	0.5 – 3.5 mV/V
Power Supply	24 Vdc / 240 Vac
Excitation	10 V (120mA max.)
Power Consumption	8 W
Accuracy	+/- 0.05 % of range
Environmental Sealing	IP54 (mounted)
Temp. effect on span	50 ppm/°C
Temp. effect on Zero	20 ppm/°C
Size (meter only)	W96 x H48 x D138 mm



Options :

- Output Options - see above
- Can be supplied calibrated with any of our load cells
- Can be supplied as panel meter, or mounted bench meter

The information provided is intended for product description only. Specifications are subject to change. Full product details available on request.

Force Logic UK Ltd

N4 Lambs Farm Business Park
 Swallowfield
 Berkshire RG7 1PQ
 UK
 +44 (0)118 988 8807
 info@force-logic.co.uk www.force-logic.co.uk

Order Codes :

INT - panel meter only

INTB - mounted bench meter
 (all leads & connectors supplied)

Specify output options

Force
LOGIC UK
 Manufactured in the UK