

# FUSION

## Load Cell Indicator

High Visibility 100mm Digits

High Accuracy

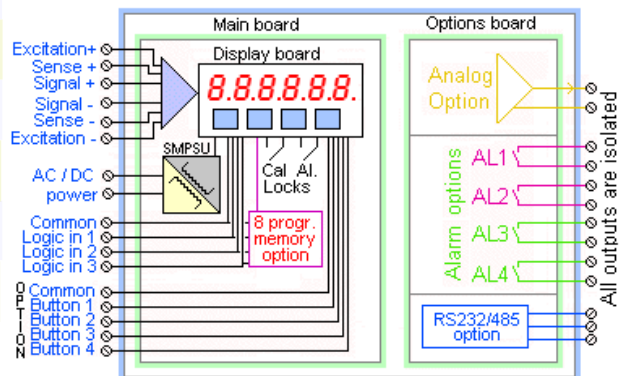
Suitable For All Load Cells



The FUSION is a large high-visibility load indicator, providing local display plus a range of output options, making it suitable for all monitoring and control applications. It can be scaled in all engineering units and is easily configured using the simple menu-free operating system. Typical applications include: crane load monitoring, factory/warehouse weighing systems, machinery overload protection. Also available with wireless option.

Output Options - Analogue -5 to +5 V , 0 to 10 V , 4 to 20 mA  
 Output Options - Digital RS232 , RS485 , DeviceNet , Modbus , Profibus

Input Sensitivity	0.5 – 3.5 mV/V
Power Supply	12-24 Vdc/110-240 Vac
Excitation	10 V (120mA max.)
Power Consumption	30VA max.
Accuracy	+/- 0.05 % of range
Environmental Sealing	IP65 (mounted)
Temp. effect on span	50 ppm/°C
Temp. effect on Zero	20 ppm/°C
Size	W453 x H196 x D75 mm



Order Codes :  
 FUSION-AC Mains Supply (100-240V)  
 FUSION-DC DC Supply (12-24 V)

Specify output options

### Options :

- Output Options - see above
- Can be supplied calibrated with any of our load cells
- Can be supplied as wireless option with our wireless load cells

The information provided is intended for product description only.  
 Specifications are subject to change.  
 Full product details available on request.

**Force Logic UK Ltd**  
 N4 Lambs Farm Business Park  
 Swallowfield  
 Berkshire RG7 1PQ  
 UK  
 +44 (0)118 988 8807  
 info@force-logic.co.uk www.force-logic.co.uk