



# DTC

## Compression Load Cell

2tonne to 50tonne  
Compact Size  
Stainless Steel

Rated Capacities <sup>1</sup>	2, 5, 10, 25, 50	tonne
Full Scale Output (FSO)	1.5	mV/V
Zero Output (ZO)	< ± 1 %	FSO
Bridge Resistance	700 (nominal)	Ω
Excitation	5 to 15	V ac/dc
Non-repeatability	0.05 %	FSO
Accuracy <sup>2</sup>	0.2 %	FSO
Compensated temp.	+10 to +50	°C
Operating temp.	-10 to +60	°C
Environmental Sealing	IP65	to BS EN60529

Capacity	A	B	C	D
2	20	40	38	32
5	26	50	50	40
10	35	63	62	50
25	45	75	80	63.5
50	65	100	110	88.5
tonne				mm

### Connections :

- 3 Metres 4-core Cable <sup>3</sup>
- + Supply - Red
  - Supply - Blue
  - + Signal - Green
  - Signal - Yellow
- Braided Screen

### Options :

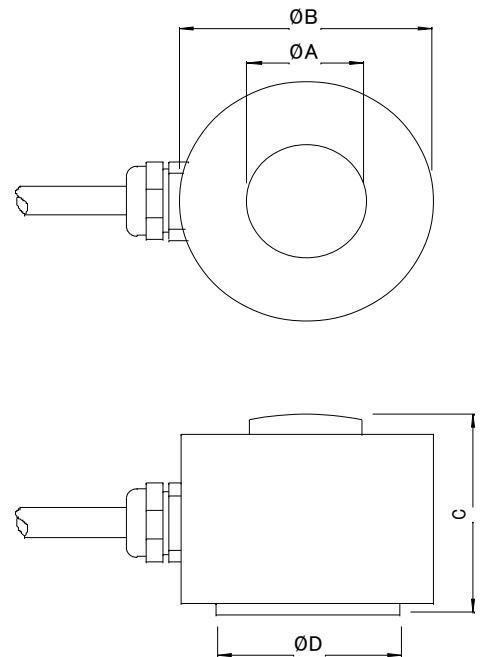
- Base Plate
- Standardised output for multiple cell systems
- Instrumentation / system calibration

- <sup>1</sup> Safe overload 150% Rated Capacity.  
Ultimate load 300% Rated Capacity.
- <sup>2</sup> Combined error, considering non-linearity & hysteresis as deviation from best straight line, from ZO to FSO.  
Correct mounting of the load cell is essential to achieve optimum performance.
- <sup>3</sup> Calibration void if cable length is altered.

The information provided is intended for product description only.  
Specifications are subject to change.  
Full product details available on request.

### Force Logic UK Ltd

N4 Lambs Farm Business Park  
Swallowfield  
Berkshire RG7 1PQ  
UK  
+44 (0)118 988 8807  
info@force-logic.co.uk    www.force-logic.co.uk



**Force**  
**LOGIC** UK  
Manufactured in the UK